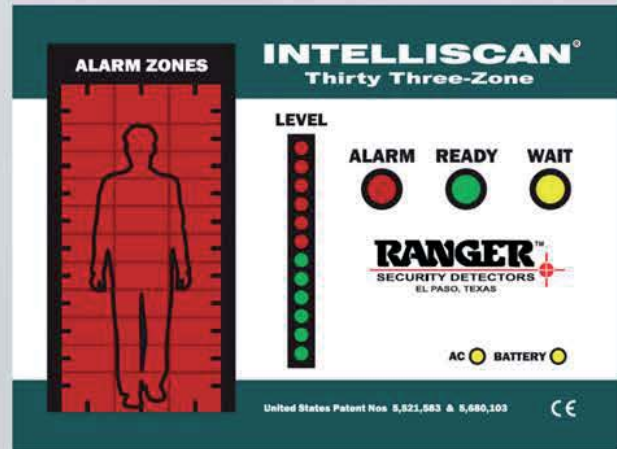


INTELLISCAN[®]

Thirty Three-Zone



Intelliscan[®] Walk Through Metal Detector 33 Zones



Intelliscan[®] 33 Zone Graphic Alarm Display

The Intelliscan[®] 33 zone is Ranger Security's Top of the line Walk Through Metal Detector. The Ranger Intelliscan revolutionized security metal detector screening and continues to set the standard for advanced technology metal detectors.

- 33 Independent Detection Zones
- Discrimination Mode Capable
- Factory and user Definable Presets
- Integrated Floor Mounting Boots
- Traffic Pacing stop and go lights
- Illuminated Panel Alarm Display
- 180 Degree View Angle Panel LED's
- United States Patented Technology



Specifications

INTELLISCAN[®] Thirty Three-Zone

Applications of the Intelliscan[®] Multi-Zone

- Airports and Seaports
- Government Buildings
- Embassies
- Police Facilities
- Courthouses
- Prisons and Jails
- Military Bases
- Hospitals
- Banks
- Financial Institutions
- Colleges and Schools
- Hotels and Casinos
- Power Plants
- Research Sites
- Sports Stadiums
- Public Transportation
- Public Landmarks
- Factories and Warehouses
- Broadcast Studios
- Museums
- Night Clubs

General Features of the Intelliscan[®] Multi-Zone

- 33 Independent Detection Zones
- Advanced Discrimination Capabilities
- Security Level Program Factory Presets
- User Programmable Processor
- Digital Signal Processing and Diagnostics
- Interference Rejection Circuitry
- Adjustable Zone Sensitivity
- Continuous Wave Technology
- Harmless to Pacemakers and Pregnant Women



Bottom Header Control Access Panel

Security Features of the Intelliscan[®] Multi-Zone

- Optional Features Available
- RangerNet Network Software & Hardware
- Wheel Kit for Easy Transportation
- Back Up Battery System
- Fiber Optic Remote Display
- Executive Styling and Weather Proof Exterior Finishes Options

Dimensions, Weight, and Power requirements



Shipping Dimensions and Weight

Header:
34"x11"x25" (85 x 27.5 x 62.5 cm)
37 lbs (16.78 kg)

Side Panels:
91"x9"x27" (227.5 x 22.5 x 67.5 cm)
145 lbs (65.76 kg)

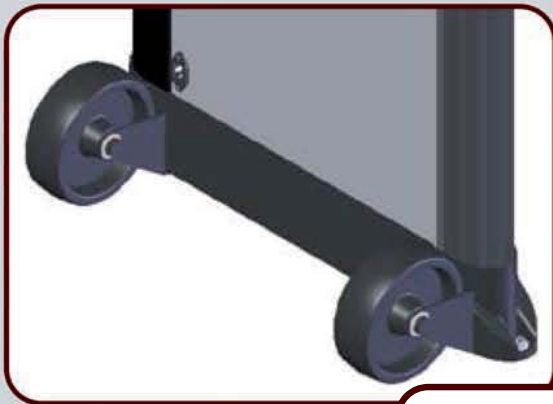
Power Requirements:
115-230 VAC, 50-60 Hz



Available Walk Through Detector Options



Remote Alarm Display
Fiber optic alarm display for remote monitoring of detector activity.



Wheel Kit
Wheel kit with handle for easy relocating of walk through metal detector.



Remote Control (optional)
Control your Intelliscan Walk Through Metal Detector with this great accessory.



Motion Detection Camera
The camera is triggered every time it senses a movement. The movement is detected through the PIR sensor, which is mounted on the back of the header next to the camera.



Traffic Counters
Infrared Sensing Traffic keep count of walk through detector throughput traffic.



Ranger Net®
Ranger Net® networking hardware and software. Permits Ranger walk through detectors to be monitored, controlled and interfaced with other security devices via secure PC network.



Internal Rechargeable Battery
To obtain 10 - 12 hours battery operation.

